

ProgressiveTraction.® More power to the ground.



IMPROVED PERFORMANCE FOR MID TO HIGH HORSEPOWER EQUIPMENT

- Extra traction
- Increased wear resistance
- Reduction of working time
- Low fuel consumption
- Wider footprint



Download the App for free



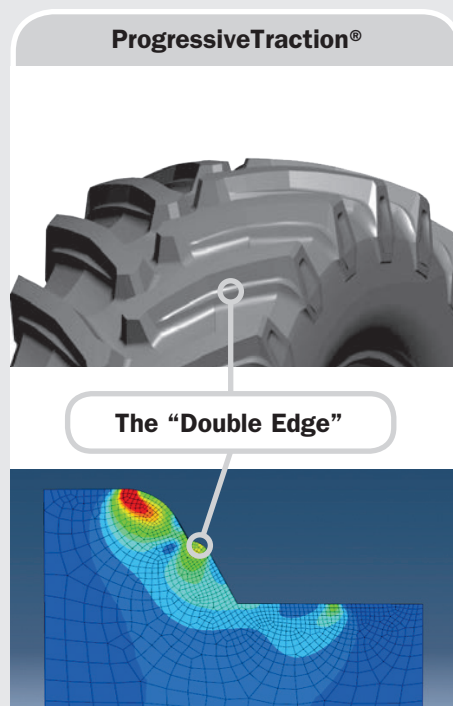
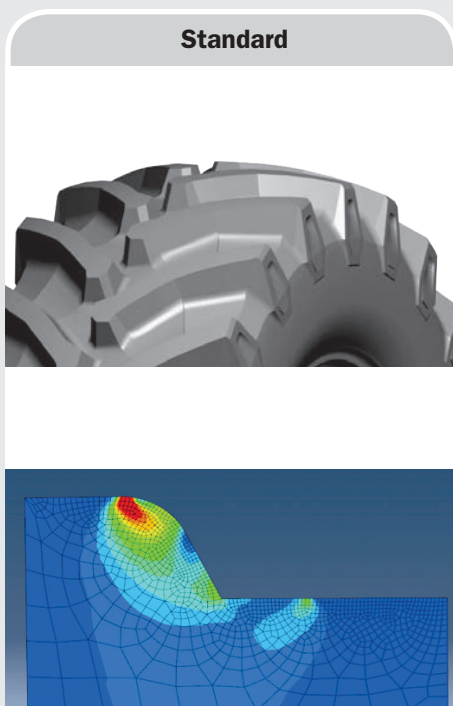
Tire iBrochure

The **3** key features of the double edge lug

The unbeatable performance of the Trelleborg ProgressiveTraction® is a testament to its innovative double edge lug.

While its two points of anchorage boost grip, the stronger base of the lug significantly reduces vibrations, wear and fuel consumption.

In addition, the double edge lug also enhances the inter-lug terraces of the TM tires, maximizing the self-cleaning capability of the tire.

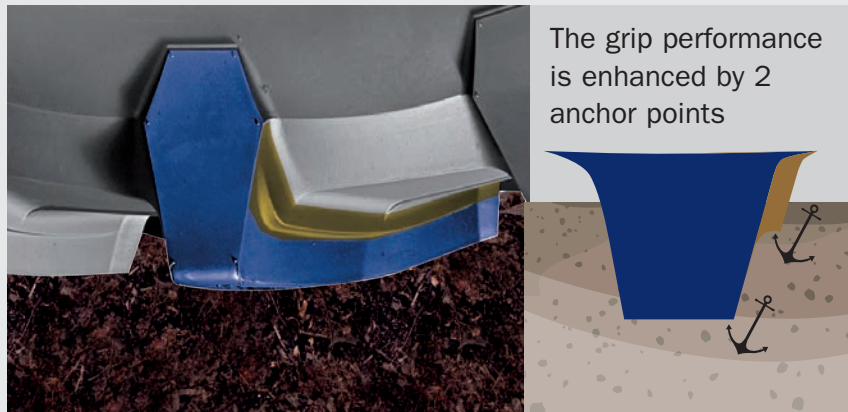


The finite element analysis shows the force transmitted to the soil by a lug of a standard tire compared to a lug a ProgressiveTraction® tire, resulting in a more efficient force distribution.

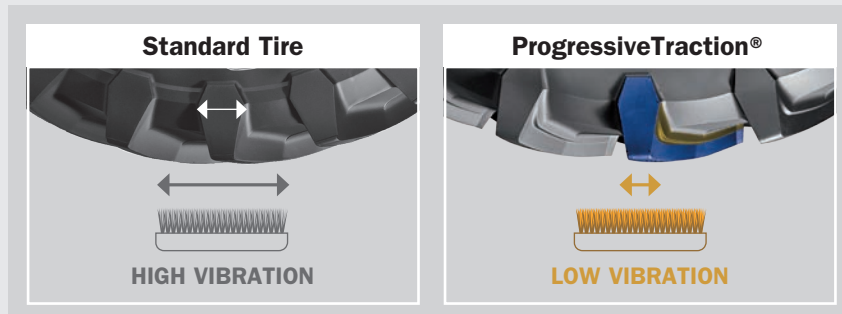




1 Dual anchor



2 Reduced vibrations



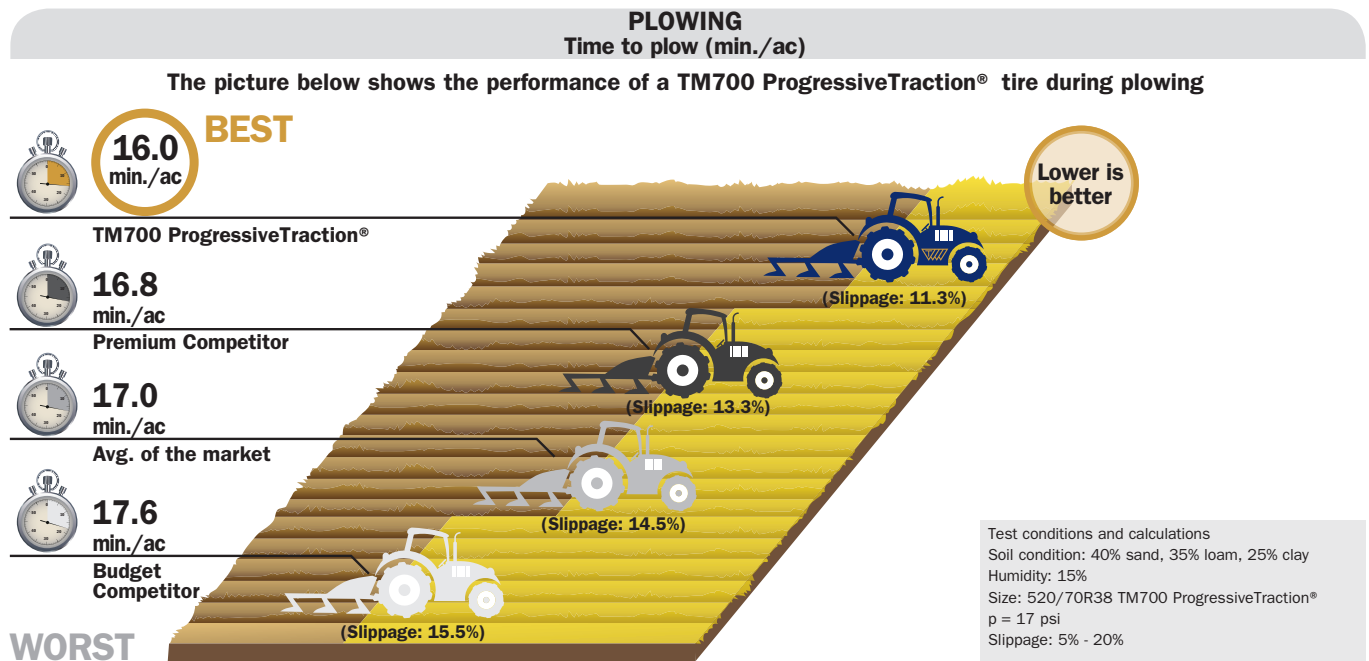
3 Enhanced Self-cleaning



Redefining traction performance increasing customer savings.

The higher grip of ProgressiveTraction® is driven by the dual anchor of the lug. The new design greatly reduces the tire slippage ensuring maximum traction. During a high torque operation, the ProgressiveTraction®

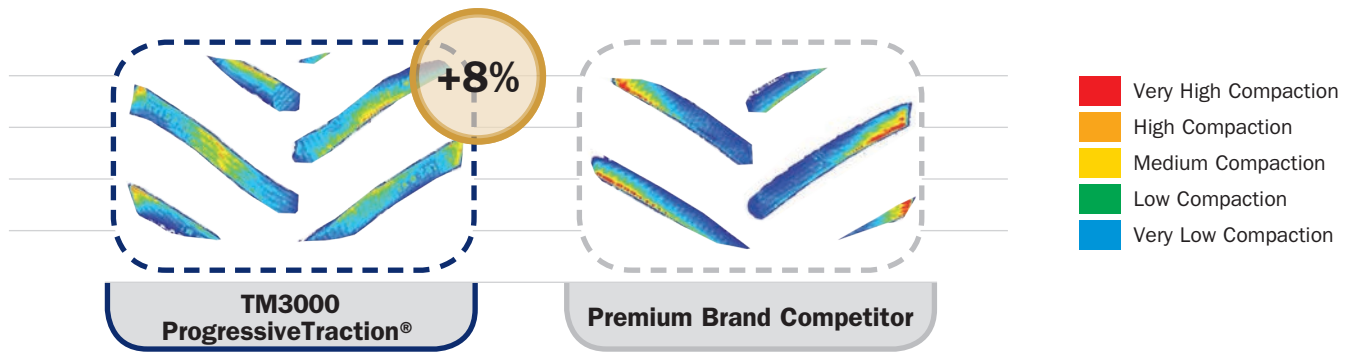
tread pattern performs better than premium brand competitors and significantly better than the average of the market. The reduced working time per acre results in lower emissions and premium cost efficiency.



Maximum flotation Extra wide footprint

The additional lug base surface reduces sinking of the tire in the soil. In addition, the

flexible sidewall leads to the widest footprint in the market, reducing soil compaction.

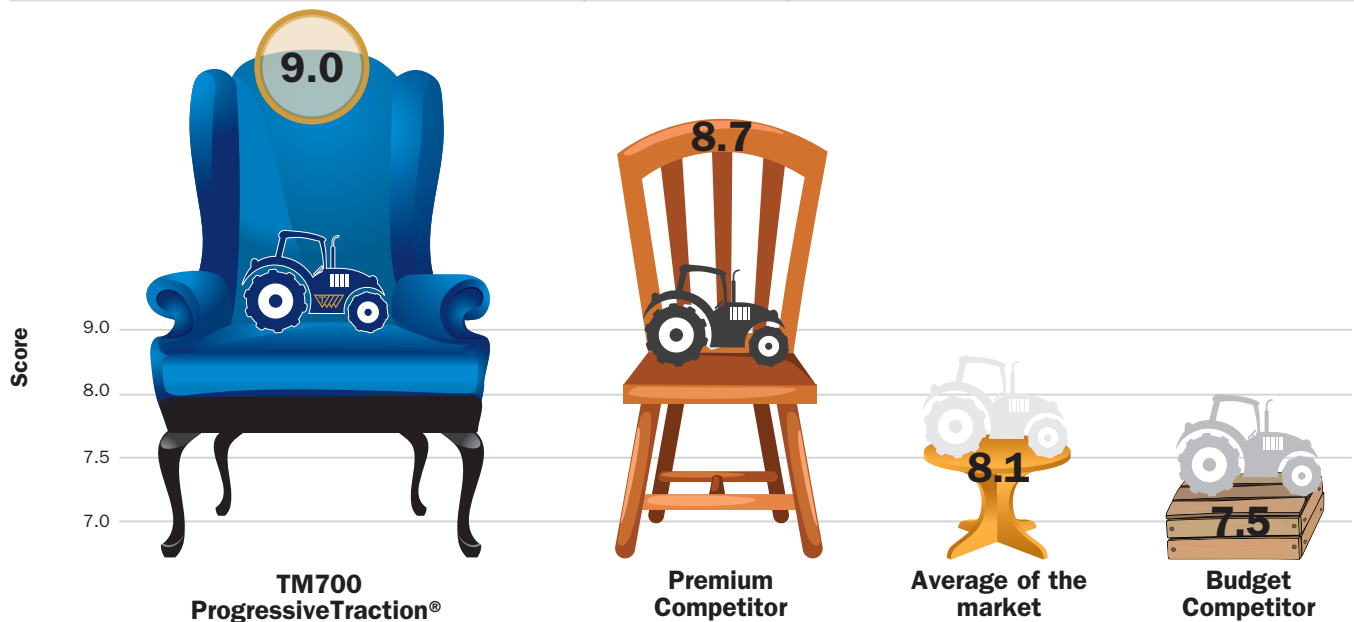


Premium comfort and handling on the road

Compared to the market average, the TM700 ProgressiveTraction® provides you with better handling and safety performance. The new lug design avoids vibrations and assures premium comfort, essential for your

tough and demanding farming operations. In addition, ProgressiveTraction® tires also reduce noise pollution, benefiting the operator and the environment.

DRIVER COMFORT AND HANDLING (Score from 1 to 10)



Great range for great performances.

TM1060 ProgressiveTraction®



SIZE	Nominal Load lbs	SW inch	OD inch	SLR inch	RC inch	SRI	Rim	Standard Rim Option (NRO) **	Type
VF 520/60R28 NRO 149D	7160	20.5	52.8	22.6	156.9	650	DW18L	W18L - DW16L - W16L	TUBELESS
VF 600/60R28 NRO 157D	9090	23.6	55.9	23.8	165.6	675	DW20B	DW18L - DW21B	TUBELESS
VF 600/60R30 NRO 158D	9370	23.4	58.7	24.6	174	700	DW20B	DW18L - DW21B	TUBELESS
VF 650/60R38 NRO 166D	11680	25.8	68.3	29.7	204.3	825	DW23B	MW23B - DW20B	TUBELESS
VF 710/60R38 NRO 171D	13560	28.1	71.7	30.9	213.4	875	DW25B	MW25B - DW23B	TUBELESS
VF 710/60R42 NRO 173D	14330	28.1	76	32.9	225.8	925	DW25B	MW25B - DW23B	TUBELESS
VF 750/70R44 NRO 183D	19290	30.3	86.1	37.2	254.5	1025	DW25B	-	TUBELESS

** NRO = Narrow Rim Option

TM1000 ProgressiveTraction®



SIZE	SW inch	OD inch	SLR inch	RC inch	SRI	Rim	Permitted Rims	Type	Tube
VF600/70R30 170D (167E)	24.2	63	27.4	188.4	750	DW21B	DW20B	TUBELESS	
VF 420/85R34 154D	17.5	62.4	26.4	186.4	750	DW15L	DW14L	TUBELESS	
VF 800/70R38 184D	32.7	81.8	33.9	244.1	975	DW27B	DW25B	TUBELESS	
VF 480/80R50 166D	18.9	80.7	35.6	241.7	975	DW16L	DW15L	TUBELESS	

TM700 ProgressiveTraction®



SIZE	SW inch	OD inch	SLR inch	RC inch	SRI	Rim	Permitted Rims	Type	Tube
380/70R28 127D	14.6	51.2	23	152.8	625	W12	W11 - W13 - DW11 DW12 - DW13	TUBELESS	12.4-28 TR218
420/70R28 133D	16.3	53.3	24	160.2	650	W13	W12 - W14L - DW12 DW13 - DW14L	TUBELESS	16.9-28 TR218
480/70R28 140D	18.9	56.3	25.2	167.5	675	W15L	W14L - W16L - DW14L DW15L - DW16L	TUBELESS	16.9-28 TR218
480/70R30 141D	18.7	58.5	25.8	175.2	700	W15L	W14L - W16L - DW14L DW15L - DW16L	TUBELESS	18.4-30 TR218
480/70R34 143A8 (143B)	18.7	62.4	28.2	187.4	750	W15L	W14L - W16L - DW14L DW15L - DW16L	TUBELESS	16.9-34 TR218
480/70R34 155A8 (155B)	18.7	62.2	28.6	188	750	W15L	W14L - DW14L - DW15L W16L - DW16L	TUBELESS	16.9-34 TR218
480/70R38 145D	19.3	66.5	29.7	198.8	800	W15L	W14L - W16L - DW14L DW15L - DW16L	TUBELESS	18.4-38 TR218
520/70R38 150D	20.7	69.1	31.1	206.9	825	W16L	W15L - W18L - DW15L DW16L - DW18L	TUBELESS	18.4-38 TR218
580/70R38 155D	23.2	72.2	32.3	214.8	875	W18L	DW18L	TUBELESS	20.8-38 TR218
580/70R42 158D	23	75	33.5	224.2	925	W18L	DW18L	TUBELESS	20.8-42 TR218
620/70R42 166D	24.8	76	34.3	229.1	925	DW20B	DW18L - W18L	TUBELESS	-

TM800 ProgressiveTraction®



SIZE	SW inch	OD inch	SLR inch	RC inch	SRI	Rim	Permitted Rims	Type	Tube
540/65R28 142D	20.7	56.1	24.8	166.9	675	DW16L	W15L(°) - W16L - W18L DW15L(°) - DW18L	TUBELESS	16.9-28 TR218
650/65R38 157D	25.6	71.7	31.9	212.4	875	DW18L	W18L (°) - DW18L (°)	TUBELESS	20.8-38 TR218

TM600 ProgressiveTraction®



SIZE	SW inch	OD inch	SLR inch	RC inch	SRI	Rim	Permitted Rims	Type	Tube
380/85R30 135A8 (135B)	15.4	55.4	25	166.9	675	W13	W12 - W11 - DW11 DW12 - DW13	TUBELESS	14.9-30 TR218
380/95R38 147A8 (147B)	15.4	65.9	30	197.6	800	W12	W13	TUBELESS	-
420/85R38 149A8 (149B)	17.3	65.6	30.2	196.9	800	W14L	DW14L - W15L - DW15L	TUBELESS	-
480/80R38 149A8 (149B)	19.5	69.3	30.9	206.1	825	W16A	W15 - DW15 - DW16	TUBELESS	-
520/85R38 155A8 (152B)	21.1	72.8	32.5	216.9	875	DW18L	W16L - W18L - DW16L	TUBELESS	20.8-38 TR218
480/95R50 164A8 (164B)	19.7	84.6	38.7	255.5	1075	DW16B	DW16A - DW15A - DW15B	TUBELESS	-
NEW 480/80R50 159A8 (159B) (Design Data)	19.3	80.5		243.5	975	DW15B		TUBELESS	-

TM3000 ProgressiveTraction®



SIZE	SW inch	OD inch	SLR inch	RC inch	SRI	Rim	Permitted Rims	Type
VF 750/50R26 169D	29.5	55.7	24.2		675	DW27B	DW25B	TUBELESS
IF 900/65R32 * 191A8 (191B)							In preparation	
VF 1000/50R25 184D	40.6	64.6	-	191.7	775	36.0 TH	-	TUBELESS
VF 1050/50R32 198D	40.7	73.2	32.3	219.3	875	36.00 VA	-	TUBELESS

* = Available in Q3

ANTARCTICA 2

Trelleborg ProgressiveTraction® tyre reached the South Pole on December 9th.

LAMMA 2015
"Best New Product or Innovation (Environmental)"



FINOVATION™

Honoured with "FinOvation award" at 2015 National Farm Machinery Show

ProgressiveTraction®

"Machine of the Year award 2014" at Agritechnica 2013



MACHINE OF THE YEAR 2014

"Silver Ears 2013" at Agribex 2013





Trelleborg is a world leader in engineered polymer solutions that seal, damp and protect critical applications in demanding environments. Our innovative engineered solutions accelerate performance for customers in a sustainable way. The Trelleborg Group has local presence in over 50 countries around the world.

WWW.TRELLEBORG.COM/WHEELS



facebook.com/TrelleborgAgri
twitter.com/TrelleborgWheel
youtube.com/TrelleborgAgri
flickr.com/TrelleborgAgri
linkedin.com/company/trelleborgwheelsystems
instagram.com/TrelleborgAgri



Trelleborg Wheel Systems Americas, Inc
570 Trelleborg Drive, Spartanburg, SC 29301
Toll Free Phone Number: 1-866-633-8473
www.trelleborg.com/wheels/us